

Hanger arms accommodate most types of bikes

QR code takes smart phone users to comprehensive bike repair web site

Large surface area for sponsorship, branding, or way-finding signage

Tools are secured with braided stainless steel aircraft cables

Screwdrivers and Allen Wrenches are on swivel connectors for easier use

Includes most commonly used tools for simple bike maintenance

Hanger and pump pack inside main body for easy, inexpensive shipping

Hanger arms can be mounted at 12, 3, 6, or 9 o'clock

Hanger is ADA compliant

Pump holster can be mounted on either side or back of Fixit

Pump hose is reinforced for maximum protection

Universal pump head accommodates all valve stem types

Patent pending



DERO **Fixit**

- Repair stand holds nearly any bike
- Includes easy to use air pump
- Basic tools to make minor adjustments

You are riding home from work when you notice your bike needs some adjusting. The bike shop is closed and out of your way, so now what? Fixit to the rescue!

The Fixit includes all the tools necessary to perform basic repairs and maintenance, from changing a flat to adjusting brakes and derailleurs. The tools and air pump are securely attached to the stand with stainless steel cables and tamper-proof fasteners. Hanging the bike from the hanger arms allows the pedals and wheels to spin freely while making adjustments. For help with repairs use the Quick Read (QR) code on the front of the Fixit to view detailed instructions on your smart phone.

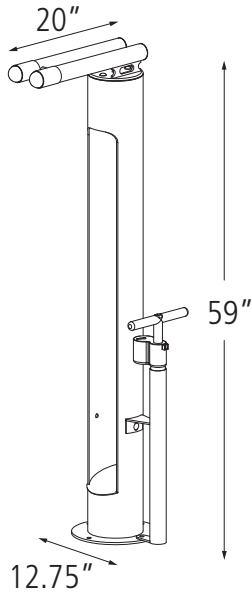


DERO
A PLAYCORE Company

www.dero.com 1.800.337.6729



Printed on recycled paper



Product Dero Fixit
As manufactured by Dero Bike Racks

Capacity 1 Bike

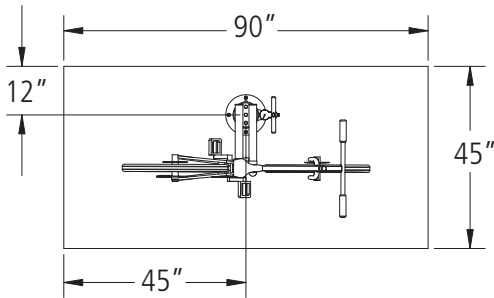
Materials

- Main body: 6.308 x .154" tube
- Bike Hanger: 1.5" sch. 40 pipe, 1/4" plate
- Foot: 10" dia. x .25" plate
- Tool tethers: 5/32" stainless steel cable
- Manual air pump
- Hand tools:
 - Philips and flat head screwdrivers
 - 2.5, 3, 4, 5, 6, 8mm Allen wrenches
 - Headset wrench
 - Pedal wrench
 - 8, 9, 10, 11mm box wrenches
 - Tire levers (2)

Finishes An after fabrication hot dipped galvanized finish is our standard option. 250 TGIC powder coat colors are also available.

Our powder coat finish assures a high level of adhesion and durability by following these steps:

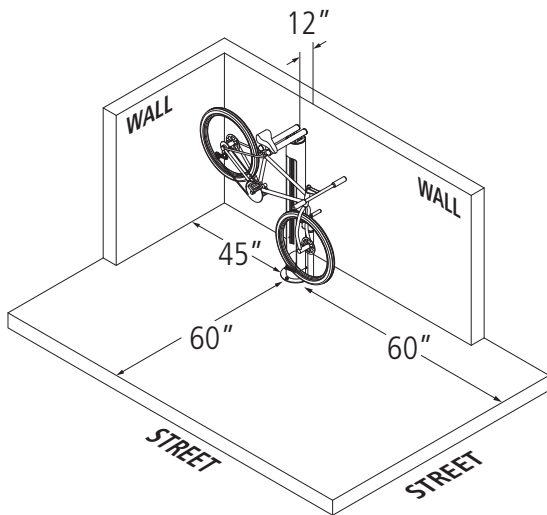
1. Sandblast
2. Epoxy primer electrostatically applied
3. Final thick TGIC polyester powder coat



Minimum Footprint

Installation Methods **Foot Mount** has 10" diameter x.25" foot with four anchors per foot.

Space Use and Setbacks **Wall Setbacks:** The back of the Fixit should be 12" from wall. Both sides of the Fixit should be at least 45" from walls or other obstructions. No part of the Fixit should protrude into a walkway, bike lane, or common area.

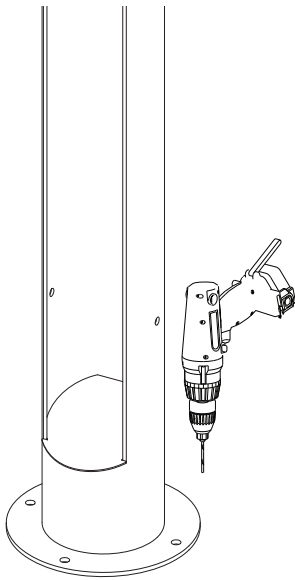


Street Setbacks: For Fixits running parallel to the street, a 60" setback is recommended. For Fixits installed perpendicular to the street, a 60" setback is the minimum.

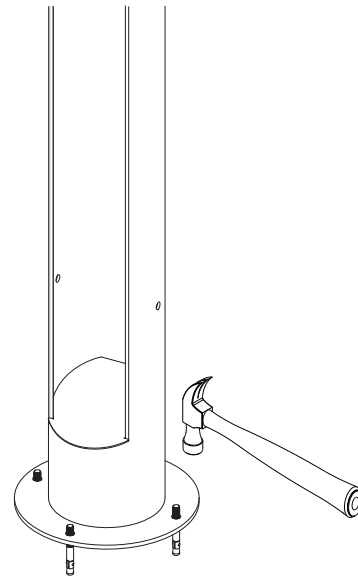
Tools Needed for Installation

- Hammer drill
- 3/8" masonry bit
- Hammer
- Socket Wrench
- 9/16" socket
- Tamper-proof socket (included)
- Socket extension, 6" min.

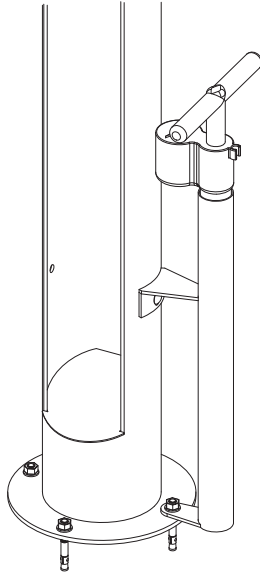
1 Reference the Fixit setback recommendations and place the upright in the desired location. Use the base as a template and drill (4) 3/8" x 3" holes in the concrete with a hammer drill and masonry bit. Clean up all concrete dust from drilling.



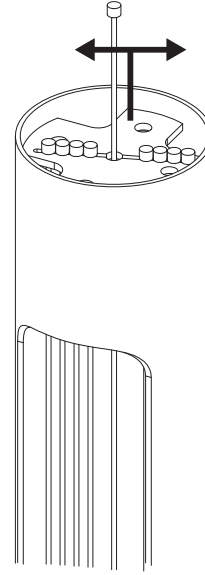
2 Hammer in the (4) wedge anchors. Leave at least 3/4" of an inch of exposed threads above the Fixit base.



3 Decide which position the pump will be installed in and place the bottom pump flange over the corresponding wedge anchor. Attach the top pump flange to the Fixit upright with a carriage bolt, washer, and tamper-proof nut. Tighten all wedge anchors with washers and nuts.



4 Insert the tool cables into the cable slot on the Fixit upright.



5 Place the bike hanger in the desired position on top of the Fixit upright and attach with carriage bolts, washers and nuts.

